

Specifications

SMART Room System™ for Microsoft® Lync® for medium rooms

Model SRS-LYNC-M

Overview

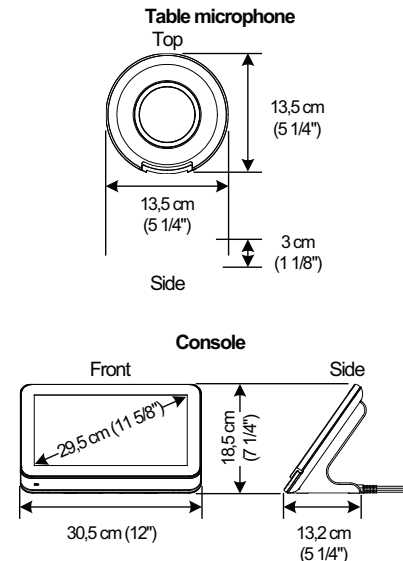
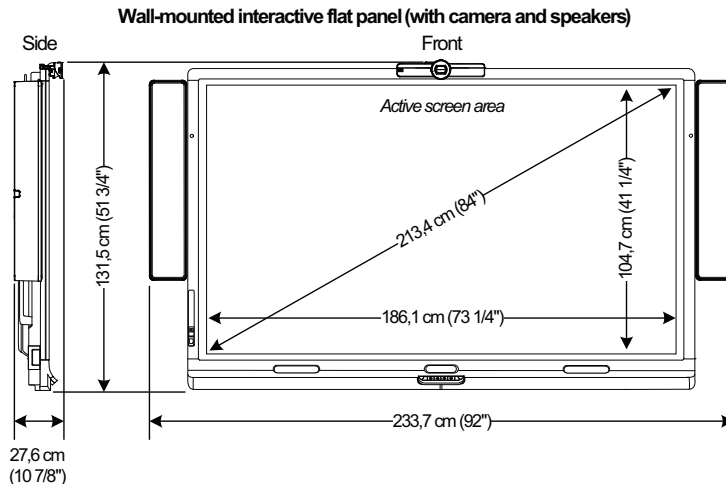
The SMART Room System™ for Microsoft® Lync® for medium rooms features a SMART Board® 8084i-G4 interactive flat panel, a tabletop console, a high-definition camera, table microphones and speakers.

Using the installed Lync Room System software, you can start a meeting and connect with other individuals or meeting rooms with a single tap on the console or the interactive flat panel. You can write or draw on the interactive flat panel using the whiteboard feature, present a Microsoft PowerPoint® slide show, connect a laptop to share its screen and share your content with connected individuals and meeting rooms in real time.

See smarttech.com/smartroom for more information on this product.



Dimensions and weights¹



¹All dimensions ± 0.3cm (1/8"). All weights ± 0.9kg (2lb)

SPECIFICATIONS

SMART Room System for Microsoft Lync for medium rooms – Model SRS-LYNC-M

	Weight	Dispatch weight	Dispatch dimensions
Interactive flat panel	118.3kg (260 lb)	152.3kg (335 lb)	219cm x 159cm x 38.5cm (86 1/4" x 62 5/8" x 15 1/8")
WM-SBID-502 wall mount	17kg (37 lb)	21kg (46 lb)	117cm x 44.3cm x 33.9cm (46" x 17 1/2" x 13 3/8")
Speakers	7kg (15 lb)	9.1 kg (20lb)	96cm x 39.5cm x 18.8cm (37 3/4" x 15 1/2" x 7 3/8")
System components	6.2kg (14 lb)	9.8kg (22 lb)	49.5cm x 45.7cm x 57.2cm (19 1/2" x 18" x 22 1/2")
Total	148.5kg (326 lb)	210kg (463 lb)²	

Hardware

Included hardware

SBID 8084i-G4	SMART Board 8084i-G4 interactive flat panel
AM70-L	Lync appliance
CP311	Console
CAM301	Camera
MIC500	Table microphone (x2)
MIX500	Audio processor
CSR500	Speakers
WM-SBID-502	Wall mount for installing the interactive flat panel on a wall

Included cables

For interactive flat panel	2.4m (8') IEC 60320 C13 to country-specific power
For console	6.3m (20' 8") HDMI, VGA and USB 2.4m (8') IEC 60320 C13 to country-specific power AC/DC converter
For camera	USB and power
For table microphones and audio processor	9m (30') interactive flat panel to table 4m (13') microphone to microphone
For laptop ³	9.3m (30' 6") harness (HDMI and VGA)
Recommended diameter for conduit	4.5cm (1 3/4")

Interactive flat panel

Touch technology	DViT® (Digital Vision Touch) technology
------------------	---

²Including the pallet

³Laptop not included

Screen size (diagonal)	213.4cm (84")
Aspect ratio	16:9
Optimal resolution	3840 × 2160 at 30 Hz
Horizontal frequency	244–280 kHz (analog and digital)
Vertical frequency	24–210 Hz
Contrast ratio (typical)	1600:1
Brightness (typical)	250–300 cd/m ²
Pixel pitch	0.48 mm
Lync appliance	
Processor	2.3 GHz Intel® Core™ i7 with HD 4000 graphics chipset
RAM	Dual-channel 8 GB DDR3
Console	
Screen size (diagonal)	29.5cm (11 5/8")
Aspect ratio	16:9
Resolution	1366 × 768
Brightness	250 cd/m ²
Camera	
Features	Digital pan, tilt and zoom (DPTZ) Automatic white balance Automatic exposure and power line frequency detection Manual lens tilt adjustment Internal privacy shutter Video recording indicator
Aspect ratio	16:9
Resolution (maximum)	1920 × 1080
Frame rate (typical)	30 frames per second (at ≥ 200 lx)
Field of view	109° (full) 98° (horizontal)
Depth of field	1-10m (3'-33')
Signal-to-noise ratio (minimum)	33 dB at ≥ 50 lx 36 dB at ≥ 200 lx
Dynamic range (minimum)	42 dB
Table microphones	
Features	Mute button and indicator 4m (13') cable between microphones Daisy-chain up to five microphones
Local speaker audio level	60–65 dBA measured at 0.5m (20")

SPECIFICATIONS

SMART Room System for Microsoft Lync for medium rooms – Model SRS-LYNC-M

Speakers

Total harmonic distortion	< 1% average < 3% maximum 80–10 kHz
---------------------------	---

Frequency response	± 6 dB, 80–10 kHz
--------------------	-------------------

Nominal volume	76 dBSPL
----------------	----------

Audio

Echo cancellation	> 45 dB at nominal receive output level
-------------------	---

Software

Lync Room System software	See lync.microsoft.com
----------------------------------	--

Storage and operating requirements

Room system power (excluding console)

Power requirements	9.0A at 100V to 3.75A at 240V AC, 50 Hz to 60 Hz
--------------------	--

Power consumption at 25°C (77°F)	900 W
----------------------------------	-------

Console power

Normal power consumption	< 12 W (supplied using the 12 V AC/DC converter)
--------------------------	--

Standby power consumption	< 0.6 W
---------------------------	---------

Operating temperature	5–35°C (41–95°F)
------------------------------	------------------

Storage temperature	-40–60°C (-40–140°F)
----------------------------	----------------------

Humidity	85% relative humidity, non-condensing
-----------------	---------------------------------------

Certification and compliance

Regulatory certification⁴	UL (US and Canada), FCC, IC, C-Tick, NOM, CU, CB, VCCI, KC, CCC, PSB, BIS, PSE, KCC
---	---

Environmental compliance

China	EIP
-------	-----

European Union	REACH, RoHS, WEEE, Battery and Packaging
----------------	--

US	Packaging and Conflict Minerals
----	---------------------------------

⁴As applicable to the components

Purchasing information

Order number

SRS-LYNC-M	SMART Room System for Lync for medium rooms
------------	---

Optional accessories

MIC500	Add-on microphone
--------	-------------------

WSK-SINGLE	Wall stand kit for small and medium rooms, including one wall stand for transferring some of the weight of the interactive flat panel to the floor and one cable track
------------	--

Warranty

Two-year warranty	Interactive flat panel Camera Lync appliance Console
-------------------	---

One-year warranty	Speakers Wall mount
-------------------	------------------------

90-day return	Cables, pens, batteries and other items that can be purchased from smarttech.com/Support/PartsStore
---------------	--

smarttech.com/support
smarttech.com/contactsupport

© 2013 SMART Technologies ULC. All rights reserved. SMART Room System, SMART Board, DVIT, smarttech, the SMART logo and all SMART taglines are trade-marks or registered trade-marks of SMART Technologies ULC in the US and/or other countries. Microsoft, Lync and PowerPoint are either registered trade-marks or trade-marks of Microsoft Corporation in the US and/or other countries. All other third-party product and company names may be trade-marks of their respective owners. This product and/or use thereof covered by one or more of the following US patents. www.smarttech.com/patents. Contents are subject to change without notice. 11/2013.