

Specifications

SMART Board® 8084i-G4 interactive flat panel

Model 8084i-G4-SMP

Overview

The SMART Board® 8084i-G4 interactive flat panel features SMART's proprietary DVIT® (Digital Vision Touch) technology on an LCD screen with e-LED backlight which enables you to select, write and erase on the interactive surface. By touching the surface, you can do everything on the interactive flat panel that you can do at your computer, and you can use an array of gestures within applications.

You can also write or draw over any application in digital ink using one of the supplied pens or your finger, and then erase the digital ink using the supplied eraser or your palm. Two users can write or draw at the same time.

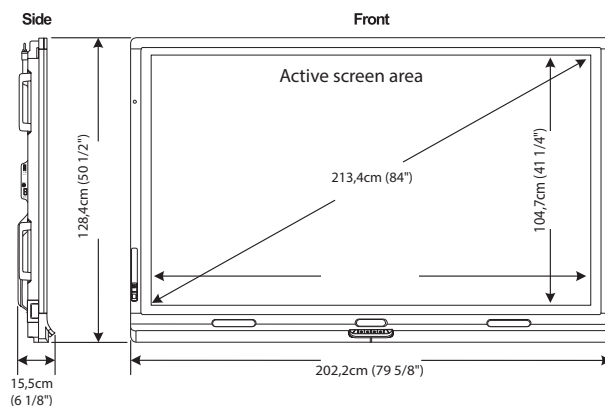
The interactive flat panel has two presence detection sensors on its frame that can detect people up to 5m (16') away. When the sensors detect people in the room, the interactive flat panel turns on. When the sensors no longer detect people in the room, the interactive flat panel turns off.

See smarttech.com for more information on this product.



Dimensions and weights*

Dimensions



Weight

118.3kg (260 lb)

Dispatch dimensions (including pallet)

219cm W x 159cm H x 38.5cm D
(86 1/4" x 62 5/8" x 15 1/8")

Dispatch weight

152.3kg (335 lb)

*All dimensions $\pm 0.3\text{cm}$ (1/8"). All weights $\pm 0.9\text{kg}$ (2lb)

SPECIFICATIONS

SMART Board 8084i-G4 interactive flat panel – Model 8084i-G4-SMP

Hardware

Display

Aspect ratio	16 × 9
Optimal resolution	3840 × 2160 at 30 Hz
Horizontal frequency	244–280 kHz (analogue and digital)
Vertical frequency	24–120 Hz
Contrast ratio (typical)	1600:1
Brightness (typical)	250–300 cd/m ²
Pixel pitch	0.48 mm

Audio Two 10 W integrated front firing speakers

Noise level 35 dBA

Included cables and hardware	2.4m (8') country-specific power cable 1.3m (4' 3") USB cable 5m (16' 5") USB extender 6.3m (20' 8") HDMI cable Infrared remote control (batteries included) Pens and eraser Spare nibs for pens	I/O extension module for external PCs (SBID-G4-XTM) CAT 5 USB extender SMART GoWire™ auto-launch cable with SMART Meeting Pro™ PE (Personal Edition) software (see smarttech.com/kb/151506) M8 eye bolts
-------------------------------------	--	---

Mounting holes For a standard VESA® 600 mm × 400 mm mounting plate
47.9cm (18 7/8") from the bottom of the interactive flat panel

Connectors

Top panel 19V DC Molex® Micro-Fit 2-pin connector
Stereo 3.5 mm out
USB 3.0 Type-A

Left panel 19V DC Molex Micro-Fit 2-pin connector
Stereo 3.5 mm out
USB 2.0 Type-A

Right panel 19V DC Molex Micro-Fit 2-pin connector
Stereo 3.5 mm out

Back	AC power inlet USB 2.0 Type-A USB 2.0 Type-B (×2) RS-232 in RS-232 out/pass-through DisplayPort in HDMI in (×2) DVI-D in DVI-D out	VGA in Component video in (Y, Pb, Pr) Composite video in Stereo 3.5 mm in Stereo 3.5 mm out Dual RCA audio in (×2) Speaker wire connector, 8 Ω of resistance
-------------	--	--

I/O extension module HDMI in
USB 2.0 Type-B

Installation requirements

Installation	See the <i>SMART Board 8000i-G4 interactive flat panel setup and maintenance guide</i> (smarttech.com/kb/170446)
Computer	See smarttech.com/SMARTMeetingProReleaseNotes

Storage and operating requirements

Power requirements	100V to 240V AC, 50 Hz to 60 Hz
Power consumption at 25°C (77°F)	
Normal Standby mode	120 W
Normal operating	370 W
Maximum operating (Vivid mode)	530 W
Operating temperature	5°C to 35°C (41°F to 95°F)
Storage temperature	-20°C to 60°C (-4°F to 140°F)
Humidity	5% to 80% relative humidity, non-condensing

Certification and compliance

Regulatory certification	UL (US and Canada), FCC, IC, C-Tick, NOM, CU, CB, PSE, VCCI, KC, CCC, PSB and BIS
Environmental compliance	
China	EIP
European Union	REACH, RoHS, WEEE, Battery, Packaging and ErP Standby
US	Packaging and Conflict Minerals

Purchasing information

Order number	
SBID 8084i-G4-SMP	SMART Board 8084i-G4 interactive flat panel, including a SMART Meeting Pro software licence key and a SMART GoWire cable with SMART Meeting Pro PE software
Optional accessories	See smarttech.com/businessaccessories
Warranty	Two-year limited equipment warranty

smarttech.com/support
smarttech.com/contactsupport

© 2013 SMART Technologies ULC. All rights reserved. SMART Board, DVIT, SMART Meeting Pro, SMART GoWire, smarttech, the SMART logo and all SMART taglines are trade-marks or registered trade-marks of SMART Technologies ULC in the US and/or other countries. All third-party product and company names may be trade-marks of their respective owners. This product and/or use thereof covered by one or more of the following US patents. www.smarttech.com/patents. Contents are subject to change without notice. 10/2013.